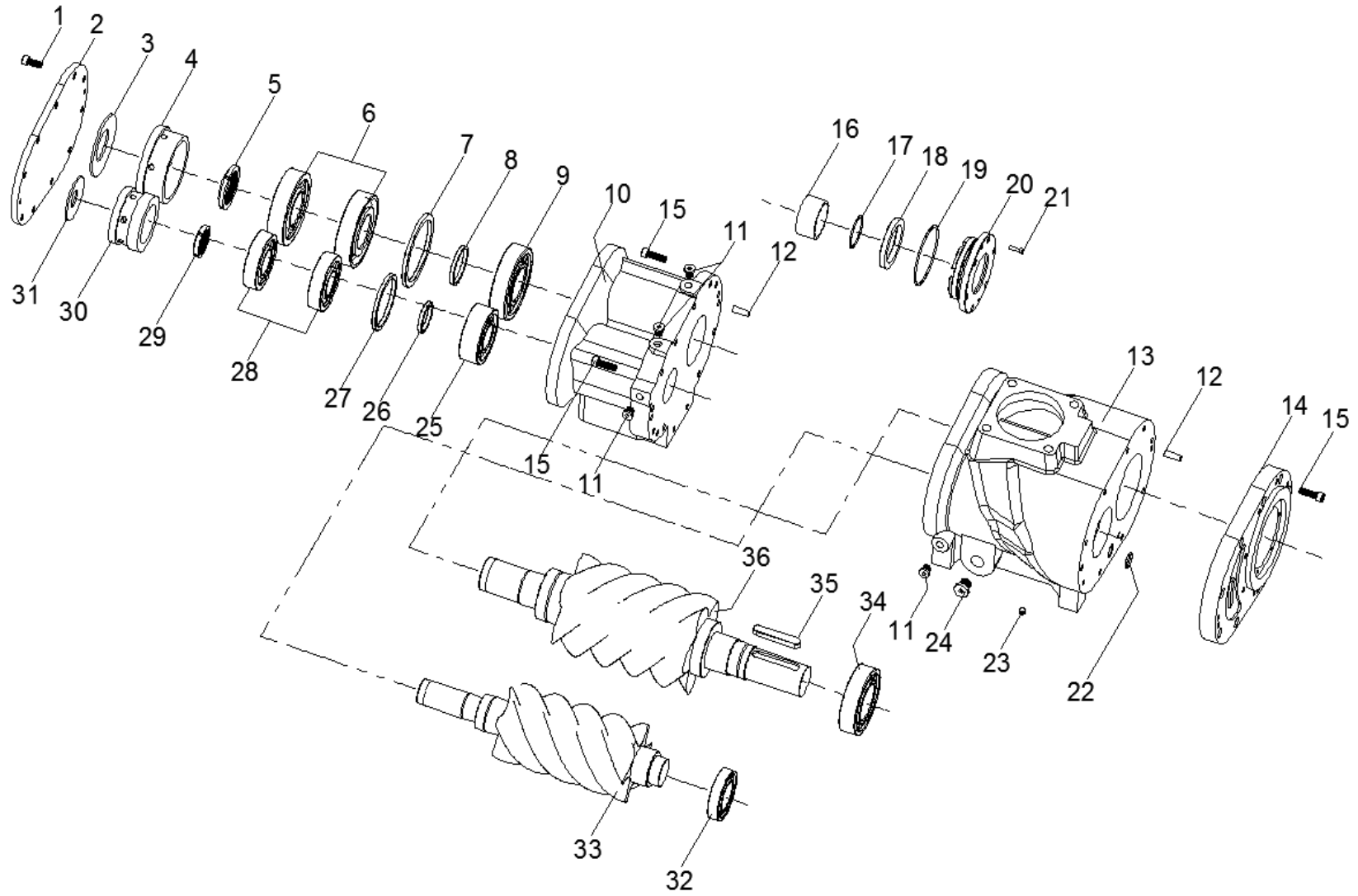


AA-600R Construction BOM



AA-600R Construction BOM

Item	Number	Description	Quantity	Item	Number	Description	Quantity
1	4301-110025-C	Bolt	12	21	4301-110012-C	Bolt	6
2	3505-9824A	Discharge Cover Plate	1	22	4201-VG20	O-Ring	1
3	4307-DB112	Disc Spring	1	23	4305-107	Plug	2
4	3512-1109A	Bearing Spacer	1	24	4305-927	Plug	1
5	4302-260	KM Nut	1	25	4102-NU2309E	Bearing	1
6	4101-7312BUO	Bearing	2	26	3105-1137A	Spacer Ring	1
7	3512-113DA	Spacer Ring	1	27	3105-113AA	Spacer Ring	1
8	3512-1134A	Spacer Ring	1	28	4101-7309BUO	Bearing	2
9	4102-NU312E	Bearing	1	29	4302-245	KM Nut	1
10	35312-1131BA	Bearing Seat	1	30	3512-1111A	Bearing Spacer	1
11	4305-924	Plug	5	31	4307-DB080	Disc Spring	1
12	35302-1102AB	Parallel Pin	4	32	4102-NJ210E	Bearing	1
13	35329-1141BA	Housing	1	33	35329-1133AC	Female Rotor	1
14	35329-1163AB	Front Cover Plate	1	34	4102-NJ2213E	Bearing	1
15	4301-110035-C	Bolt	16	35	3504-1164A	Parallel Key	1
16	4807-03	Bush	1	36	35329-1132BA	Male Rotor	1
17	4201-VG055	O-Ring	1				
18	4203-068090R	Shaft Seal	1				
19	4201-VG105	O-Ring	1				
20	3504-1161D	Seal Cover	1				